



TRUE EUROPE

Field's End Road, Goldthorpe, Nr. Rotherham, South Yorkshire S63 9EU, UK
www.truemfg.com • Tel +44 01709 888 080 • Fax +44 01709 880 838
Free Phone 0 800 783 2049 • Free Phone to U.S. 0 800 894 928



7/17

Model:
TBB-4G-LD

Underbar Refrigeration:

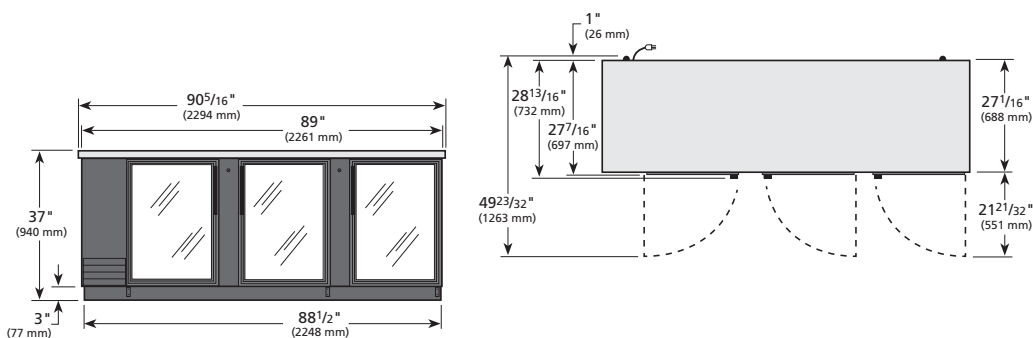
Glass Swing Door Back Bar Cooler with LED Lighting

TBB-4G-LD



- ▶ True's refrigerated back bar coolers are designed with enduring quality and value. Our commitment to using the highest quality materials and oversized refrigeration assures colder product temperatures and years of trouble free service.
- ▶ Oversized, factory balanced, refrigeration system holds 33°F to 38°F (.5°C to 3.3°C).
- ▶ Exterior - all stainless steel countertop, heavy duty, wear resistant laminated black vinyl front and sides. Matching black aluminum back.
- ▶ Interior - Stainless steel floor with ½" (13 mm) reinforced lip and heavy gauge galvanized steel walls.
- ▶ NSF-7 approved for packaged and bottled product.
- ▶ Positive seal doors.
- ▶ "Low-E", double pane thermal glass door assemblies with extruded aluminum frames. The latest in energy efficient technology.
- ▶ LED interior lighting provides more even lighting throughout the cabinet. Safety shielded.
- ▶ Entire cabinet structure is foamed-in-place using a high density, polyurethane insulation that has zero ozone depletion potential (ODP) and zero global warming potential (GWP).

PLAN VIEW



ROUGH-IN DATA

Specifications subject to change without notice.
Chart dimensions rounded up to the next whole millimeter (inches rounded up to the next 1/8").

Model	Doors	Capacity		Shelves	Cabinet Dimensions (mm)			HP	Voltage	Amps	Refrigerant	Crated Weight (kg)
		12 oz. Cans	½ Barrels		W	D	H					
TBB-4G-LD	3	152 6-pks	4	6	2296	699	940	½	230-240/50/1	4.5	134A	270

† Depth does not include 29 mm for door handles and 26 mm for rear bumpers.